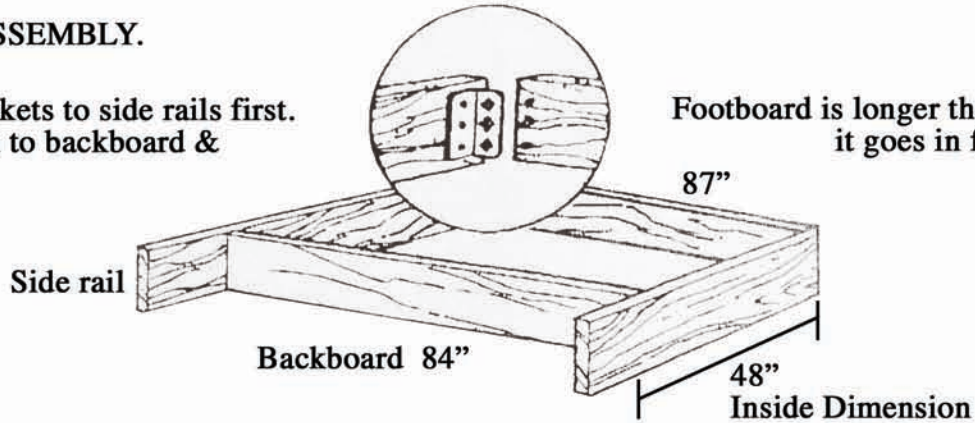




# Sideview Youthbed Assembly Instructions

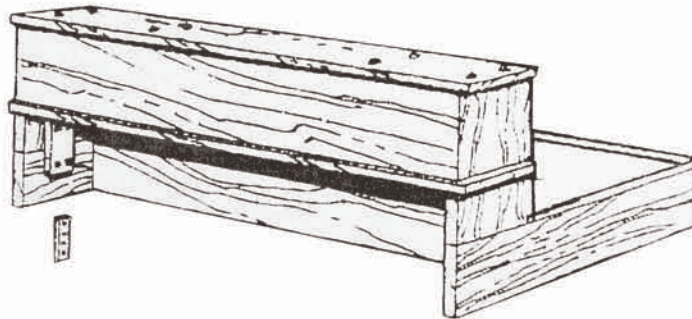
## 1. FRAME ASSEMBLY.

Attach brackets to side rails first. Slots attach to backboard & footboard.



## 2. HEADBOARD ASSEMBLY.

Attach blocks or flat brackets to hold headboard to frame.



## 3. DECKING & "L" BRACKET ASSEMBLY.

