

This is your Thermal Guardian® 5 years limited warranty. In the event that service resulting from a manufacturing defect is required during the first two years after the original purchase, your Thermal Guardian Model TOUCH TEMP, QUANTUM Heater will be fully repaired or replaced at our option, at no charge to the purchaser except for freight cost.

**Warranty periods**

Years 1-2 fully repaired or replaced.....No Charge  
Years 3-5 prorated cost to replace.....65% of Manufacturer Suggested Retail Price

*\*We reserve the right of substitute materials or models of comparable or greater quality.*

**WHAT SERVICE CAN I EXPECT?** If there is a defect in manufacturing which requires service during the first two years after the original purchase, your Thermal Guardian Heater will be fully repaired or replaced at our option without charge except freight costs. There will be a period of additional warranty for three more years, this added period, will cover only 35% of retail suggested cost at time of return. Freight cost will be also charged.

**HOW DO I GET SERVICE?** Contact your Thermal Guardian dealer for prompt service, for warranty returns sufficient proof of date and place of purchase is required to validate any warranty service available. Trade name and manufacturing date must be intact to properly identify the unit as qualifying for warranty service. As it is necessary to keep your original sales receipt, it might be a good idea to keep a copy of your original sales slip or invoice with your installation and instruction manual.

**WHAT DOES MY LIMITED WARRANTY COVER?** The quality and pride that is crafted into every Thermal Guardian Waterbed Heater, enables us to offer to the original purchaser only, who uses this heater solely for home waterbed use, a limited five years warranty covering any manufacturing defect in workmanship or material. (See warranty periods table above)

**HOW LONG IS THE WARRANTY PERIOD?** The warranty coverage runs 5 years from the date of purchase. Repair or replacement of a component does not extend this warranty or begin a new warranty. (See warranty periods table above)

**ARE THERE EXCLUSIONS?** Yes, this limited warranty does not apply to any damage, caused by improper use, negligence, improper installation, acts of God or failures caused by extreme temperatures or unusual conditions.

THIS LIMITED WARRANTY IS LIMITED TO REPAIR OR REPLACEMENT OF THE THERMAL GUARDIAN WATERBED HEATER AT OUR OPTION AND ANY DAMAGES DUE TO CONSEQUENTIAL LOSSES OF ANY NATURE ARE EXPRESSLY EXCLUDED.

We shall not be liable for consequential damages (any cost of repairing other property which is damaged through the use of this product) or incidental damages (loss of use, loss of time, miscellaneous charges or other damages).

**IMPORTANT WARRANTY INFORMATION:** This limited Warranty shall be void unless the waterbed heater is used in accordance with the instructions in our Instruction Manual and on the heater pad, and in conjunction with a confining frame and waterbed mattress of a correct size and safety liner capable of capturing the entire liquid contents of the mattress should a failure occur.

This prorated warranty is limited only to the original buyer from an authorized Thermal Guardian Dealer and is not transferable to subsequent owners of the product.

NO WARRANTIES, EXPRESS OR IMPLIED, ARE EXTENDED TO PERSONS WHO PURCHASE THE PRODUCT FROM OTHER THAN AUTHORIZED THERMAL GUARDIAN DEALERS.

ALL WARRANTIES INCLUDING THE IMPLIED WARRANTIES OF MERCHANTABILITY AND FITNESS ARE HEREBY EXCLUDED. ANY AND ALL IMPLIED WARRANTIES OTHER THAN THOSE WARRANTIES THAT MAY NOT BE EXCLUDED UNDER ANY APPLICABLE LAW ARE EXPRESSLY EXCLUDED. THIS IS THE EXCLUSIVE WARRANTY FOR THE THERMAL GUARDIAN AND ANY OTHER STATEMENTS OR EXPRESS OR IMPLIED WARRANTIES ARE EXPRESSLY DENIED.

**YOU MAY HAVE OTHER RIGHTS:** Some states do not allow the exclusion or limitation of incidental or consequential damages. This warranty gives you specific right and you may have other rights which vary from state to state. The duration of any applicable implied warranties shall not exceed in duration the terms of this limited warranty. Some states do not allow limitations on how long and implied warranty lasts, so the above limitation may not apply to you.

THIS LIMITED WARRANTY SUPERSEDES ANY OTHER WARRANTY PACKAGED OR MADE AVAILABLE WITH THIS PRODUCT

**IMPORTANT !**

PLEASE PAY CAREFUL ATTENTION TO THE FACT THAT FAILURE AND DAMAGE CAN EASILY OCCUR IF FOREIGN OBJECTS ON TOP OF THE HEATER AND BETWEEN THE HEATER AND MATTRESS IMPEDE THE TRANSFER OF HEAT FROM THE HEATER PAD TO THE MATTRESS OR IF THE HEATER IS PLUGGED IN AND OPERATING WHEN THE MATTRESS IS NOT COMPLETELY FULL.

- KEEP CONTROL UNPLUGGED FROM POWER OUTLET AND HEATER PAD UNTIL THE MATTRESS IS FILLED.
- UNPLUG THE HEATER BEFORE DRAINING.
- THE HEATER MUST BE ON A SMOOTH, FLAT, RIGID SUPPORTING SURFACE.

NEVER USE THE HEATER IN ANY APPLICATION WHERE A HUMAN BODY CAN TOUCH THE SURFACE OF THE HEATER BECAUSE OF IMPROPER MATTRESS SELECTION, UNDER FILLING, OBESITY OR ANY OTHER REASONS, PARAPLEGICS OR ANY OTHER PERSONS WITH SENSORY PROBLEMS SHOULD PAY PARTICULAR ATTENTION TO THIS SECTION, AS SHOULD PERSONS SELECTING PRODUCTS FOR PERSONS WITH THESE OR SIMILAR IMPAIRMENTS.

NO WARRANTY OR REPRESENTATION IS MADE FOR THE PRODUCT'S SUITABILITY FOR ANY PERSON'S MEDICAL CONDITION OR PROBLEM.

*We know you will be pleased with your selection of your new Thermal Guardian heater. Rest well and rest assured that you have selected the finest in heating system, which will afford years of sleeping comfort.*

CERTIFIED TO THE STANDARDS OF

**UL-1445**



**QUANTUM**

**TOUCH TEMP**

**HARDSIDE WATERBED HEATER**

*PROTECTED WITH A THERMAL SAFETY FUSE*

**Waterbed Heater For Hardside Fluid Support Sleep Systems with a Minimum Water Fill Level of 8 Inches**

**WARRANTY AND INSTALLATION INSTRUCTION MANUAL**



## CAUTION

**DO NOT depress the water chamber in the area over the heater to the extent that the top surface of the mattress contacts the bottom. This may cause damage to the mattress and / or heater  
DO NOT place heater pad over unfilled knotholes or on cracks in the base platform.**

**IF ANY OF THESE OCCUR YOU WILL VOID THE WARRANTY !**

## WARNING

1. Your Thermal Guardian heater, is equipped with a Thermal Fuse to protect you and your valuables in the event of an abnormal operation. If an abnormal operation occurs such as an overheating situation, for your protection, the thermal fuse will shut off the pad at once. If this situation becomes present, return the heater pad to the original dealer for replacement evaluation.
2. Always **UNPLUG** your waterbed heater from the electrical outlet, before draining your watermattress to avoid damages to the heater pad and activation of the Thermal Fuse caused by an overheating.
3. Do not plug the heater pad into the power supply outlet until it has been properly installed and the watermattress has reached the required water level, otherwise you can cause activation of the Thermal Fuse.
4. Heater may melt a hole in your mattress if you underfill it. **YOU SHOULD NOT** be able to touch the bottom of the bed if you sit on it. The mattress must be correctly filled with water. Be especially cautious with free flow or fiber mattresses.
5. Do not wrinkle, fold or crease the heater when installing. Lift the mattress carefully to see that the heater is flat and no wrinkles are present in the heater pad, liner, or mattress.
6. Do not put anything between the heater pad and the watermattress. this means blankets, sheets or comforters. You must be careful when tucking these items under the mattress. Sheets, blankets, mattress pads and comforters should not come in contact with the heater pad.

7. Make sure the control sensor is not in the crack along the edge of the bed, or under the heater. The sensor must sense the temperature of the watermattress. **DO NOT DRAIN THE WATERMATTRESS WITH THE HEATER TURNED ON!** This will cause a hole to be burned in the mattress as the water empties.
8. This heater is designed for use only with a rigid support surface for the heater and at least an 8" fill depth watermattress. Do not use this heater with hybrid, tube type or shallow fill depth mattress.
9. The use of any control unit or attachment not provided with the heater may increase the risk of fire or electric shock.
10. Be careful not to kink or pinch the temperature sensor before, during or after installation.
11. Your Thermal Guardian waterbed heater requires the mattress be filled with at least 8" of water for it to function properly. Do not set anything on the bed which will cause the top to touch the bottom of the bed. In all the WARNING examples, the heater can melt a small area of the bed causing the mattress, liner and heater to stick together or possible water damage. These problems are not the fault of the heater **AND WILL VOID YOUR WARRANTY.**

Pad cord must be tightly and fully seated in heater control. Failure to do this could result in malfunction of heater control.

**Improper Installation may cause over heating and damage to the mattress and liner.  
In addition, fire and/or water damage could occur to your home.**

## IMPORTANT SAFEGUARDS

**When using electrical appliances, the following basic safety precautions should be followed to reduce the risk of fire and electrical shock.**

1. Inspect the supporting surface to make sure that it is flat, smooth and free from sharp objects or other material that may cause damage to your heater.
2. Unroll the heater and keep it flat when placing it under the mattress.
3. Do not allow the frame to rest on the heater or cord.
4. If an exit slot or hole is provided in frame for the heater cord, make sure it has smooth edges.
5. Do not crease, fold, hammer, pound, or otherwise alter the heater form. Do not drill holes in the heater.
6. Do not use tape, nails, staples or other metallic means to fasten the heater onto the supporting surface.

7. Place the entire heater pad under the liner and mattress. (USE OF A LINER IS ESSENTIAL.)
8. Make sure that there are no folds in the liner or mattress in the heater area.
9. Do not immerse in water.
10. Do not plug the cord into an outlet until the mattress has been filled with water.
11. Unplug the cord from the electrical outlet before draining mattress.
12. If improper operation of the heater or control unit is observed, unplug from electrical outlet immediately and consult the manufacturer or dealer regarding repair or replacement.

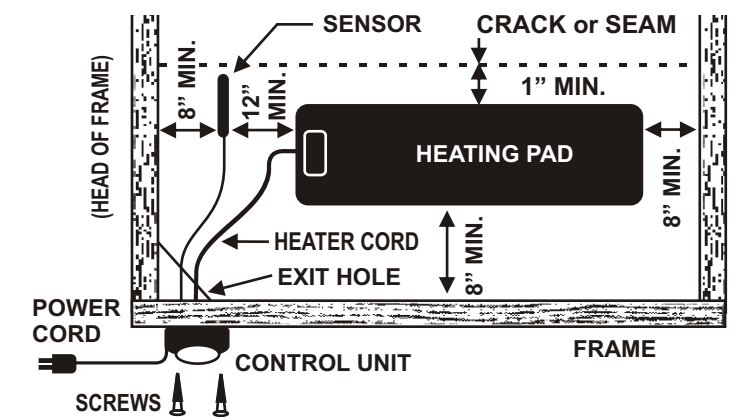
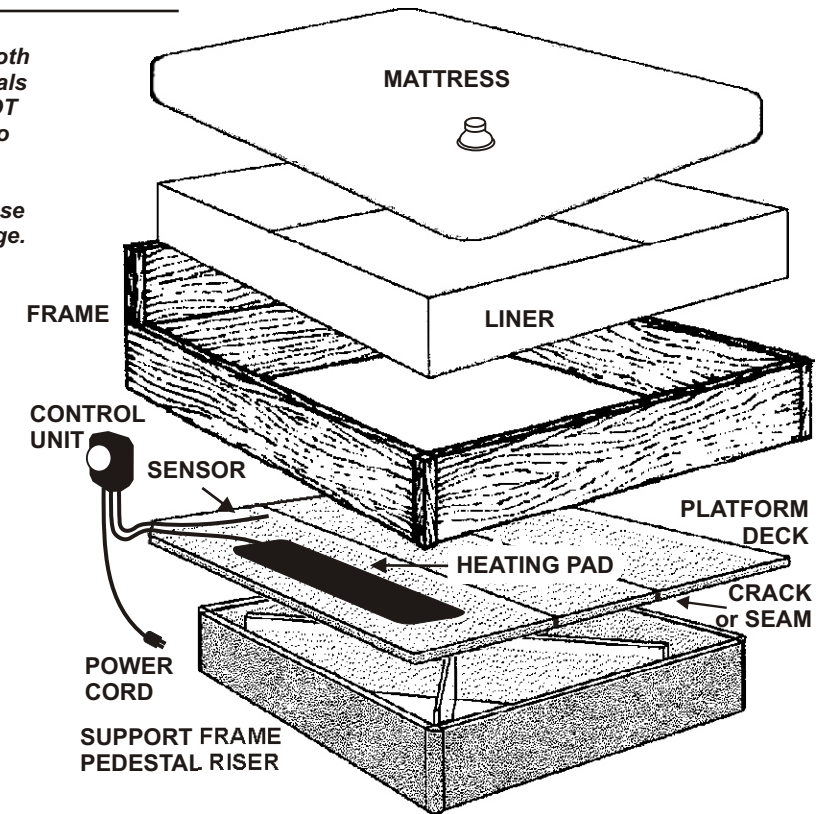
**WARNING**  
**FIRE OR ELECTRICAL SHOCK MAY**  
**RESULT FROM IMPROPER USE**

## READ AND FOLLOW ALL INSTRUCTIONS CAREFULLY

**CAUTION:** If user bottoms out on the heater pad, damage to the pad, liner, mattress or individual may result. Do not place heater pad where user may sit directly over pad. Example: Bottoming out may be caused by an improperly filled mattress, Sheets, blankets, bed linens or other objects or materials should not come in contact with the heater pad. **DANGER: NEVER LET INFANTS OR PHYSICALLY CHALLENGED PERSONS SLEEP ON THIS MATTRESS.** Infants 12 months or younger, or physically challenged persons, can suffocate while using this mattress when they become trapped between mattress and frame or wall, become wedged against adult and mattress, or sink into mattress while on stomach. Physically challenged persons, or anyone insensitive to heat or with poor blood circulation, may not be aware of contact with, or be able to move away from the mattress heating system, possibly resulting in injury. **READ AND FOLLOW ALL WARNINGS AND INSTRUCTIONS ATTACHED TO THIS PRODUCT AND OTHER PRODUCTS IN THIS SYSTEM.** Proper fill level is crucial to sleeping comfort and safe use of a watermattress. To fill mattress see instructions supplied with the watermattress. Test comfort level to see that the user cannot bottom out on the heating pad. Add water as required, this is especially important on free flow-type watermattress.

### DO NOT INSTALL HEATER UNTIL ALL INSTRUCTIONS HAVE BEEN READ AND UNDERSTOOD

1. Assemble bed frame.
2. Inspect the platform surface to make sure that it is flat, smooth and free from sharp objects, foam, fabric, knot holes or materials that may cause damage to your heater pad or mattress. **DO NOT** preheat pad to unroll, reverse roll to lay flat. **DO NOT** attempt to install under already filled bed, watermattress should be drained to ensure heater pad lays flat with no creases.
3. Place the heater pad at least 1" away from joints in frame base platform and 8" away from frame side and parallel to frame edge.
4. Feed heater pad cord through exit slot in frame or platform corner. (If not already cut out, contact you dealer to learn how to make an exit slot or hole with smooth edges in the frame for the cord to exit. Make this hole by the location where you want to mount your control unit. Be sure to position close to an electrical outlet). Do not use an extension cord.
5. Attach control unit to bed frame, using screws provided with cords and plugs into control facing down to floor.
6. Feed the heater sensor through exit hole on the platform a minimum of 12" from heater pad. Be careful not to kink or pinch sensor while feeding it through exit slot in frame or platform (see illustration).
7. Place the liner in the frame over the entire heater pad and place mattress inside liner. Make sure there are no folds in the liner or mattress, particularly over the heater pad.
8. Fill your mattress.
9. After your mattress is filled, plug heater pad cord into heater control unit. Turn the control unit knob or push the buttons to its lowest setting. Plug control unit power cord into wall outlet. Be sure all plugs are tight and secure. Do not use other control unit or attachment not provided with the heater due to increased risk of fire or electric shock.
10. Adjust temperature dial or buttons to desired setting, 85 degrees for a good starting point. Expect an increase of about 1/2 degree per hour. Depending how cold water is, it could take 4-5 days to heat mattress. The indicator light on the Dial will stay on until the mattress reaches the set temperature or on Digital Controls the Readout will flash until the mattress reaches the set temperature at which point the Readout stays lit. Digital Control ON-OFF buttons will turn heater On or completely Off. When the temperature drops below the setting, the heater will be reactivated and the light will once again go on or if Digital Control will readout will begin to flash. If the setting proves too warm or cold after a day or so, adjust the control unit slightly and allow time for the water temperature to adjust accordingly. Save energy when bed is not use, by keeping the bed "made" to help retain its heat.
11. **ALWAYS UNPLUG HEATER CONTROL UNIT POWER CORD BEFORE DRAINING MATTRESS. FAILURE TO DO SO WILL VOID WARRANTY!**
12. **DO NOT TUCK IN BED OR PLACE ANY HEAT INSULATING MATERIALS OVER THE CONTROL, AS IT MAY CAUSE IT TO OVERHEAT.**



**MODEL P1008 • 300 WATTS**  
**120 VAC • 60 Hz • 2.5 AMPS**  
**Fontana, Ca. 92337-8212**



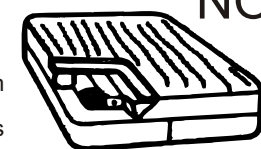
**YES** REGULAR DEEP FILL WATERBEDS

Waterbeds which have a wood frame and rigid platform deck with a watermattress that has an 8 inch minimum fill level of water.



**NO** SOFTSIDED WATERBEDS

Waterbeds which have foam in the sides, top or bottom of the waterbed mattress regardless of depth.



**NO** TUBE TYPE WATERBEDS

Waterbeds which contain individual tubes or cylinders filled with water regardless of depth.