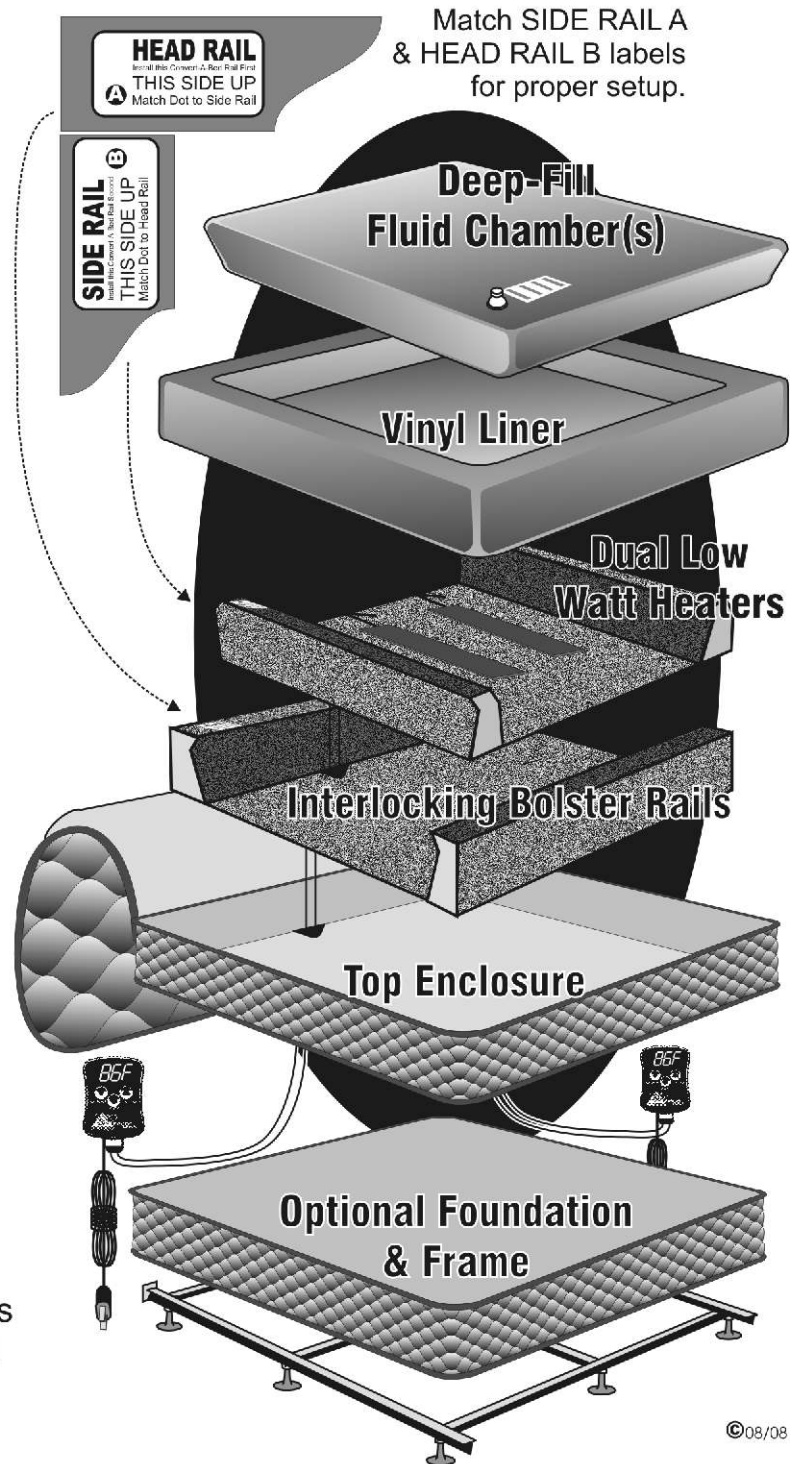


QUICK START UP

DEEP-FILL SOFTSIDE ASSEMBLY

PERFECTIONS™ AND PLATINUM™ DEEP-FILL SOFTSIDES

1. Carefully remove all Bed components from cartons. Avoid use of knives and box cutters. Bed is assembled from bottom up.
2. If using optional foundation, place foundation on metal frame or legs or on Platform deck.
3. Place unzipped Top Enclosure on the foundation or approved strength platform.
4. Insert Interlocking Bolster Rails. Insert Head to Foot Bolster Rails A first then insert Side to Side Bolster Rails B to form dish. If upside down or not completely unfolded, Rails will not reach side to side or head to foot.
5. Single or Dual low watt heaters (Maximum 120 Watts each) should be installed on rigid floor, foundation or deck and directly under liner and fluid chamber(s) per the manufacturers instructions.
Do not plug heaters in until water chambers are completely filled!
6. Vinyl Liner is then tucked around dish.
7. Place Deep-Fill fluid chamber (2 for dual systems) centered in dish and begin filling. Fill only to 1" below liner height.
8. Burp air bubbles out of Chamber(s) and cap tightly.
9. Zip Top Enclosure securely around modules and cover with good quality mattress pad and bedding to protect your investment. Optional support layers for Perfections™ should be installed between mattress pad and mattress.
10. Enjoy your PLATINUM™ or PERFECTIONS™ DEEP-FILL FRAME-FREE FLUID SUPPORT.



WORLD HEADQUARTERS
530 W. Elk Pl. Denver, CO 80216
303-296-9530